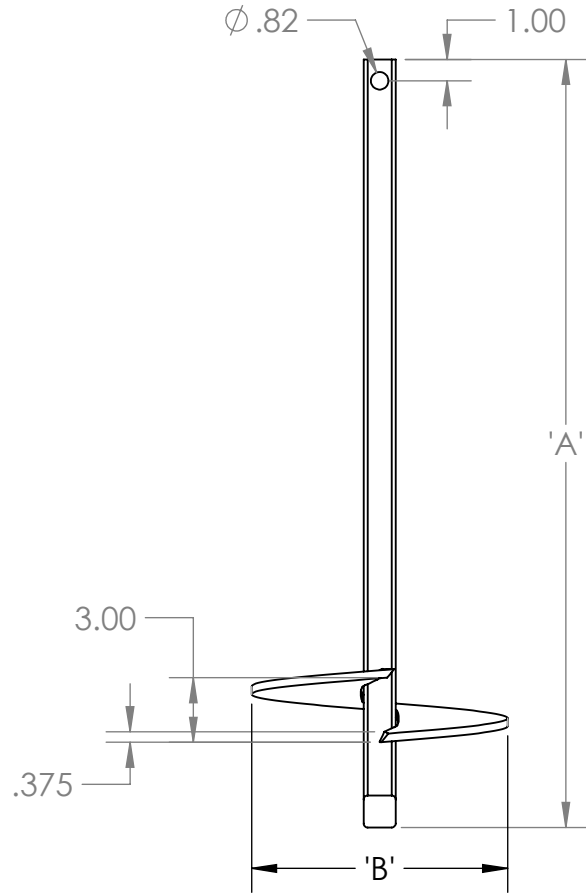


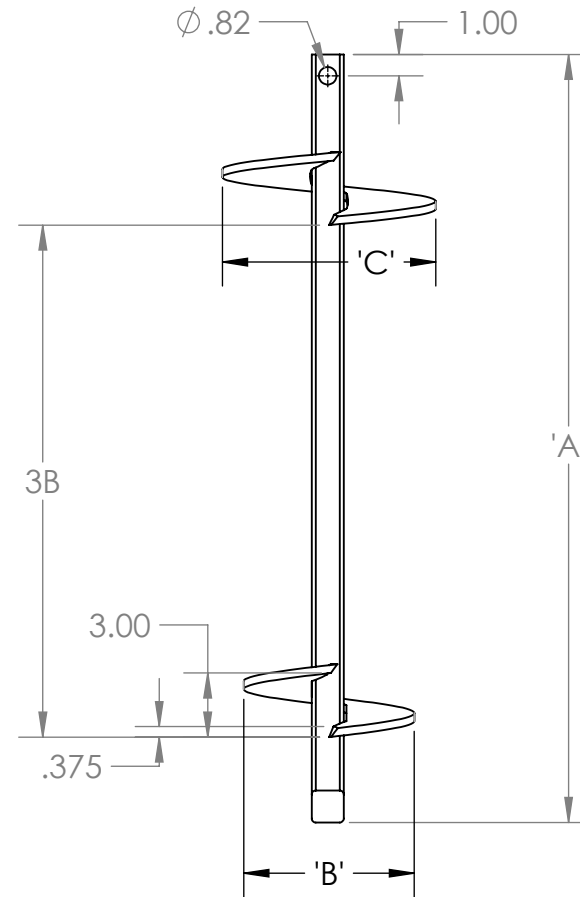
Notes:

1) All dimensions in inches.

2) Hot-dipped galvanized per ASTM A123.



SINGLE FLIGHT



DOUBLE FLIGHT

PART NUMBER	'A'	'B'	'C'	'D'	WEIGHT (LBS)	TORQUE RATING (FT-LBS)	TENSION RATING (LBS)
G663087	3'	8"	-	-	28	7,000	70,000
G663107		10"	-	-	31		
G66327		8"	10"	-	36		
G66347	3-1/2'	10"	12"	-	46		

Unless otherwise noted:

All dimensions are in inches
 Flush Callout +/- 1/8
 Degrees: +/- 2.0
 0. +/- 1/2
 0.0 +/- 1/4
 0.00 +/- 1/8
 0.000 +/- 1/16

C	5/1/2024	156
B	8/7/2023	112
A	1/18/2023	-
REV	REV DATE	ECR #



MATERIAL: 1-1/2" ROUND CORNERED SQUARE STEEL BAR PER ASTM A29/A29M-16 & 3/8" STEEL PLATE PER ASTM A1018

POWER-GRIP 3' SQUARE SHAFT ANCHOR

P/N: POWER-GRIP 3' SQUARE SHAFT ANCHOR - DATA SHEET

WEIGHT: SEE TABLE

Date: 1/18/2023

DRAWN BY: JM

Rev: C