

FOR OVER
100
YEARS

MADE
IN
USA
WITH
AMERICAN
STEEL

Grip-Tite®

UTILITY

PRODUCT
OVERVIEW



Cross-Reference Tool

Your resource for locating equivalent or alternative parts, ensuring compatibility and seamless replacement.



Digital Utility Catalog

Our Grip-Tite Utility catalog provides detailed information on our full range of products, helping you make informed decisions for your projects.



Made Right. Made Here.



Grip-Tite is proud of our American roots. We are a family-owned company in the heart of the USA so applying the BUY America stamp of approval is at our core.

TABLE OF CONTENTS

Who We Are	1.0
Our History	2.0
Hub Anchors	3.0
1.375 Inch Hub Anchors	3.1
1.5 Inch Hub Anchors	3.2
Heavy Duty Hub Anchors	3.3
Super Heavy Duty Hub Anchors	3.4
Hub Anchor Rods	4.0
Square Shaft Anchors	5.0
Square Shaft Anchor Extensions	5.1
Expanding Anchors	6.0
Cross Plate Anchors	7.0
Forged Anchor Rods	8.0
Thimble Eye Forged Anchor Rods	8.1
Twin Eye Forged Anchor Rods	8.2
Triple Eye Forged Anchor Rods	8.3
Pole Key Anchors	9.0
Why Choose Grip-Tite	10.0

WHO WE ARE

Who has been the leading manufacturer of high-quality anchoring products since 1921? Grip-Tite Manufacturing Company.

OUR LEGACY

We can say this because we have been delivering on a promise of celebrated quality and service in the earth anchoring industry for over 100 years. We offer a full suite of products and work with key suppliers to deliver the best results for your business. It's the little things that matter and you will benefit from our unmatched experience and distinguished attention to detail that our customers depend on for all their anchoring needs.

TRUST OUR TEAM

Grip-Tite has been manufacturing utility anchors behind the scenes for decades. In 2021, we decided to take our outstanding products and service directly to the utility market. Our quality and lead-time are the best in the industry and our service is unmatched. Our focus on operational excellence ensures that you will receive the best value in the marketplace. Compare us to our competition, you'll be happy that you did.

**MADE
IN
USA**
WITH
AMERICAN
STEEL

Grip-Tite®

We want you to be as informed about our products as we are. We value honesty and transparency in everything we do and that's why we provide comprehensive information so you are able to make the purchases that are right for you and your business.





OUR HISTORY

Our history is long and versatile. We're very proud of where we started and how far we've come to provide you with the best earth anchoring products on the market.

HOW DID OUR COMPANY BEGIN?

In the 1920s and '30s, Grip-Tite® anchors were used to secure highway guard cables, then used extensively for guying oil well derricks and oil pipelines.

Following WWII, Grip-Tite® developed anchors for the rapidly growing rural electrification network of overhead lines. Since that time, Grip-Tite® has been supplying earth anchoring products for overhead electric and telephone lines, serving electric and telephone utilities coast to coast as well as internationally. Today, Grip-Tite® continues as one of the leading earth anchor manufacturers for the electric and telephone industries.

Grip-Tite® Manufacturing Co., L.L.C. of Winterset, Iowa has been manufacturing earth anchoring products for over 100 years!

WHY DO WE DO WHAT WE DO?

We strive to provide the best product, the best service, the best solution to a problem, the best answer to a question, the best way to manufacture a product, and to provide our customer the best results. We don't see our work as a means to make a living, we see it as a challenge to be the best in everything we do. We bring this mindset to every corner of the business, constantly challenging how we do things and finding ways to do them better.

CHOOSE GRIP-TITE®

It's not about what, it's about how...There's no magic in utility anchors, these products have remained largely unchanged for decades. The magic lies in how they are produced and delivered to our customers. We're different. We provide all the quality and support of a large manufacturer with the service and feel of a family-owned midwest business. Our personal values are our company values and we treat our customers like family.

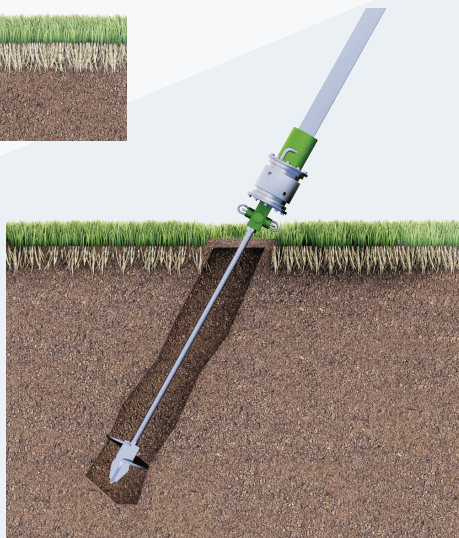
HUB ANCHORS

Grip-Tite anchoring products are established solutions for your utility infrastructure and repair needs. The Power-Grip line of hub anchors vary in size and strength. All Power-Grip anchors are used in combination with Hub Anchor Rods and Eye-Nuts and come painted for rust resistance.

Check out the product and parts information pages to find the best anchoring solutions for you and your business.



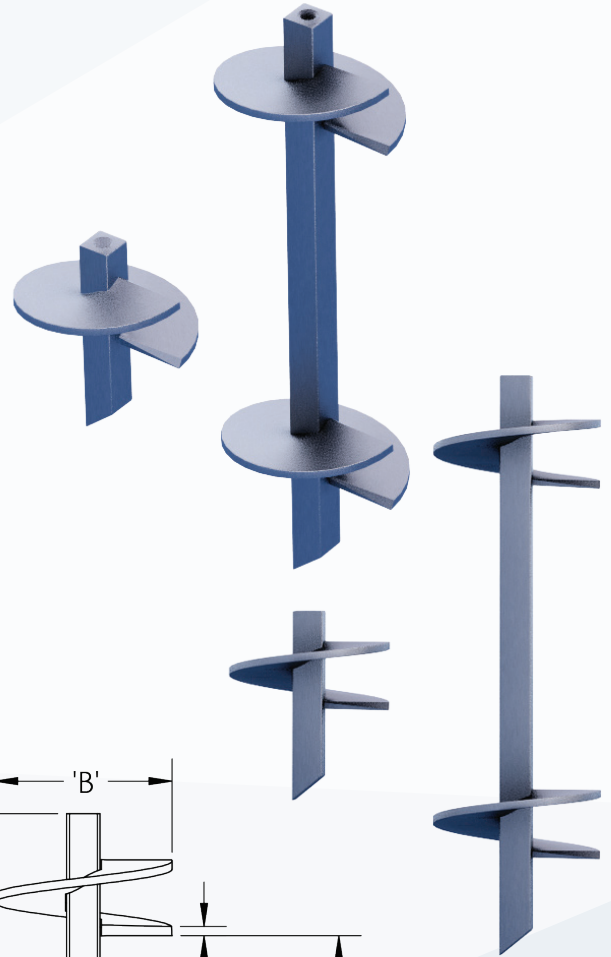
INSTALLATION



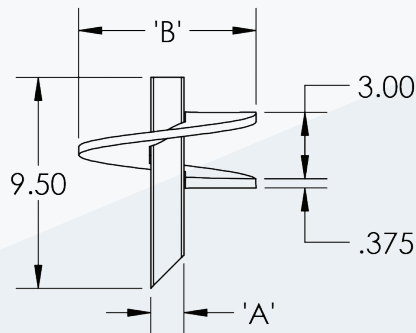
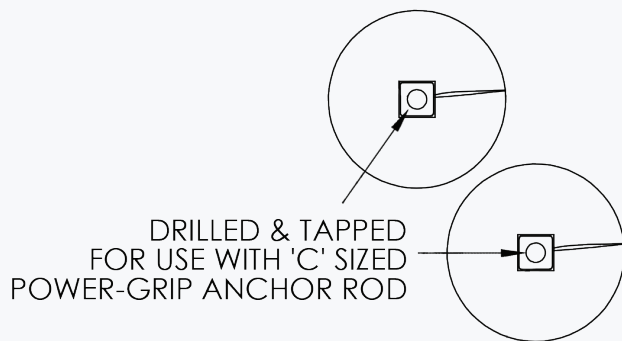


1.375 INCH HUB ANCHORS

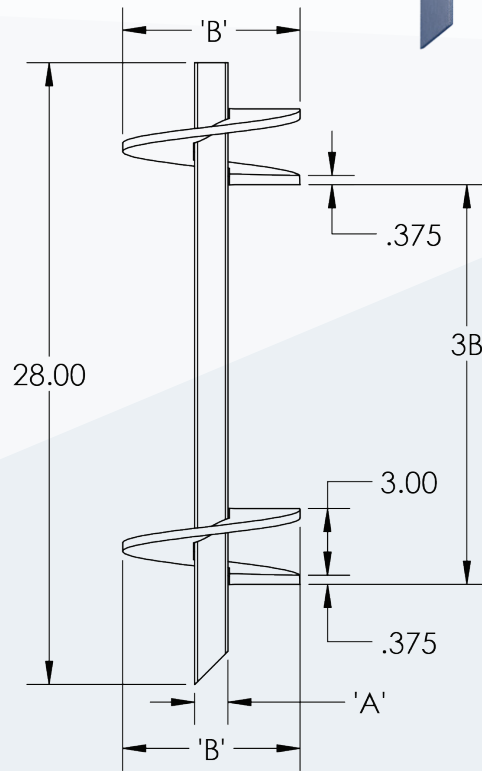
Power-Grip Hub Anchors are square shaft hubs with tapped ends that are used primarily in low to mid-level capacity applications. Available in 2 shaft sizes (1-3/8" and 1-1/2"), 2 nominal tapped sizes (5/8" and 1"), as well as four different flight sizes (8", 10", 12", and 14"). Made from 1-3/8" steel square bar and 3/8" flights formed to a 3" pitch for consistent penetration. The Power-Grip Hub Anchors are used in combination with the Power-Grip Hub Anchor Rods and Eye-Nut and come painted for rust resistance. Also available in 2 flight configurations. All flights have a beveled leading edge as a standard offering.



PART INFORMATION



SINGLE FLIGHT



DOUBLE FLIGHT





1.375 INCH HUB ANCHORS

PART INFORMATION

Catalog Number	A (in.)	B (in.)	C (in.)	Torque Rating (ft.-lb.)
G82-6	1-3/8	8	5/8	6,000
G102-6	1-3/8	10	5/8	6,000
G112-6	1-3/8	12	5/8	6,000
G84-6	1-3/8	8	3/4 or 1	6,000
G104-6	1-3/8	10	3/4 or 1	6,000
G114-6	1-3/8	12	3/4 or 1	6,000
G134-6	1-3/8	14	3/4 or 1	6,000
G84-2-6	1-3/8	8	3/4 or 1	6,000
G104-2-6	1-3/8	10	3/4 or 1	6,000

CROSS-REFERENCE INFORMATION

Grip-Tite Part Number	Hubbell Part Number	MacLean Part Number	ECP Part Number	Description
G82-6	E1021629	D82-6	TAPL-625-10 (8)	1-3/8in Power-Grip Hub Anchor, 5/8in Rod Diameter, 9-1/2in Long with 8in Flight, 6,000ft-lb Torque
G102-6	E1021630	D102-6	TAPL-625-10 (10)	1-3/8in Power-Grip Hub Anchor, 5/8in Rod Diameter, 9-1/2in Long with 10in Flight, 6,000ft-lb Torque
G112-6	E1021631	D112-6	TAPL-625-10 (12)	1-3/8in Power-Grip Hub Anchor, 5/8in Rod Diameter, 9-1/2in Long with 12in Flight, 6,000ft-lb Torque
G84-6	E1021632	D84-6	TAPL-100-10 (8)	1-3/8in Power-Grip Hub Anchor, 3/4in or 1in Rod Diameter, 9-1/2in Long with 8in Flight, 6,000ft-lb Torque
G104-6	E1021633	D104-6	TAPL-100-10 (10)	1-3/8in Power-Grip Hub Anchor, 3/4in or 1in Rod Diameter, 9-1/2in Long with 10in Flight, 6,000ft-lb Torque
G114-6	E1021634	D114-6	TAPL-100-10 (12)	1-3/8in Power-Grip Hub Anchor, 3/4in or 1in Rod Diameter, 9-1/2in Long with 12in Flight, 6,000ft-lb Torque
G134-6	E1021801	D134-6	TAPL-100-10 (14)	1-3/8in Power-Grip Hub Anchor, 3/4in or 1in Rod Diameter, 9-1/2in Long with 14in Flight, 6,000ft-lb Torque
G84-2-6	E1021636	D84-2-6	TAPL-100-26 (08-08)	1-3/8in Power-Grip Hub Anchor, 3/4in or 1in Rod Diameter, 28in Long with Two 8in Flights, 6,000ft-lb Torque
G104-2-6	E1021637	D104-2-6	TAPL-100-36 (10-10)	1-3/8in Power-Grip Hub Anchor, 3/4in or 1in Rod Diameter, 28in Long with Two 10in Flights, 6,000ft-lb Torque

1.5 INCH HUB ANCHORS

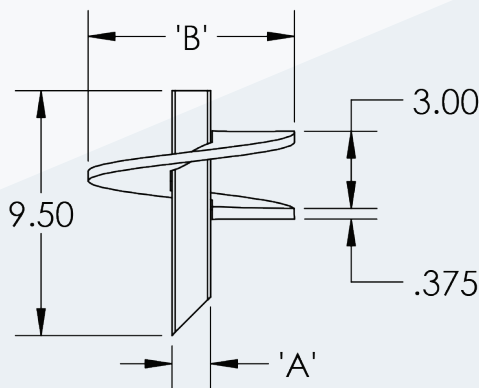
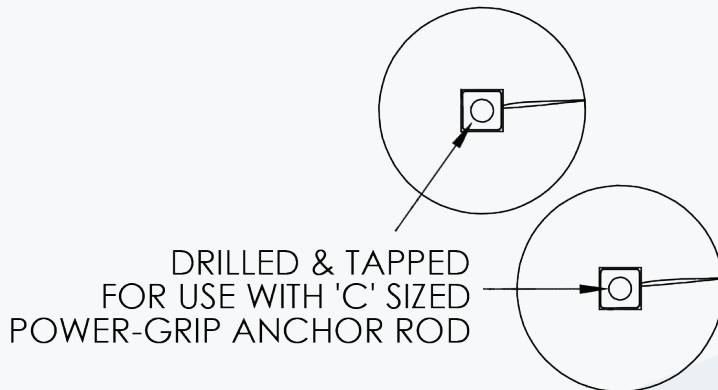
Power-Grip Hub Anchors are square shaft hubs with tapped ends that are used primarily in low to mid-level capacity applications.

Available in 2 shaft sizes (1-3/8" and 1-1/2"), 2 nominal tapped sizes (5/8" and 1"), as well as four different flight sizes (8", 10", 12", and 14").

Made from 1-1/2" steel square bar and 3/8" flights formed to a 3" pitch for consistent penetration. The Power-Grip Hub Anchors are used in combination with the Power-Grip Hub Anchor Rods and Eye-Nuts and come painted for rust resistance. All flights have a beveled leading edge as a standard offering.



PART INFORMATION



SINGLE FLIGHT





1.5 INCH HUB ANCHORS

PART INFORMATION

Catalog Number	A (in.)	B (in.)	C (in.)	Torque Rating (ft.-lb.)
G182-7	1-1/2	8	5/8	7,000
G1102-7	1-1/2	10	5/8	7,000
G1112-7	1-1/2	12	5/8	7,000
G184-7	1-1/2	8	3/4 or 1	7,000
G1104-7	1-1/2	10	3/4 or 1	7,000
G1114-7	1-1/2	12	3/4 or 1	7,000
G1134-7	1-1/2	14	3/4 or 1	7,000
G284-7	1-1/2	8	3/4 or 1	7,000
G2104-7	1-1/2	10	3/4 or 1	7,000

CROSS-REFERENCE INFORMATION

Grip-Tite Part Number	Hubbell Part Number	MacLean Part Number	ECP Part Number	Description
G182-7	E1021629	D82-6	TAPL-625-10 (8)	1-1/2in Power-Grip Hub Anchor, 5/8in Rod Diameter, 9-1/2in Long with 8in Flight, 7,000ft-lb Torque
G1102-7	E1021630	D102-6	TAPL-625-10 (10)	1-1/2in Power-Grip Hub Anchor, 5/8in Rod Diameter, 9-1/2in Long with 10in Flight, 7,000ft-lb Torque
G1112-7	E1021631	D112-6	TAPL-625-10 (12)	1-1/2in Power-Grip Hub Anchor, 5/8in Rod Diameter, 9-1/2in Long with 12in Flight, 7,000ft-lb Torque
G184-7	Beveled: C199020114 Square: E1021632	D84-6	TAPL-100-10 (8)	1-1/2in Power-Grip Hub Anchor, 3/4in or 1in Rod Diameter, 9-1/2in Long with 8in Flight, 7,000ft-lb Torque
G1104-7	E1021633	D104-6	TAPL-100-10 (10)	1-1/2in Power-Grip Hub Anchor, 3/4in or 1in Rod Diameter, 9-1/2in Long with 10in Flight, 7,000ft-lb Torque
G1114-7	E1021634	D114-6	TAPL-100-10 (12)	1-1/2in Power-Grip Hub Anchor, 3/4in or 1in Rod Diameter, 9-1/2in Long with 12in Flight, 7,000ft-lb Torque
G1134-7	E1021801	D134-6	TAPL-100-10 (14)	1-1/2in Power-Grip Hub Anchor, 3/4in or 1in Rod Diameter, 9-1/2in Long with 14in Flight, 7,000ft-lb Torque
G284-7	Beveled: C199020116 Square: E1021636	D84-2-6	TAPL-100-26 (08-08)	1-1/2in Power-Grip Hub Anchor, 3/4in or 1in Rod Diameter, 28in Long with Two 8in Flights, 7,000ft-lb Torque
G2104-7	Beveled: C199020117 Square: E1021637	D104-2-6	TAPL-100-36(10-10)	1-1/2in Power-Grip Hub Anchor, 3/4in or 1in Rod Diameter, 28in Long with Two 10in Flights, 7,000ft-lb Torque

HEAVY DUTY HUB ANCHORS

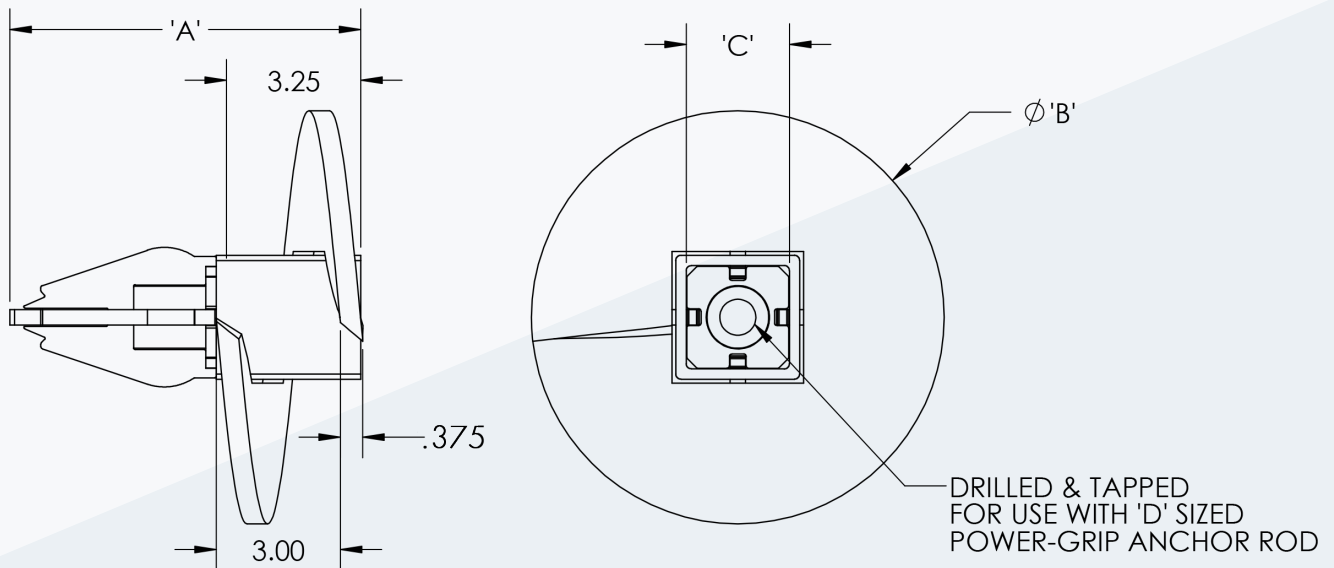
Power-Grip Heavy Duty Hub Anchors are higher torque rated hub anchors used primarily in higher capacity applications. Available in Heavy Duty are, 2-1/2" and 2-1/4", with 4 flight sizes (8", 10", 12" and 14").

Power-Grip Heavy Duty Hub Anchors are made from structural steel tubing and sheet steel with the 3/8" steel flights formed to a 3" pitch for consistent penetration.

Used in combination with Power-Grip Hub Anchor Rods and Eye-Nuts. Power-Grip Heavy Duty Anchors come painted for rust resistance. All flights have a beveled leading edge as a standard offering.



PART INFORMATION





HEAVY DUTY HUB ANCHORS

PART INFORMATION

Catalog Number	Hub Size A (in.)	Helix Size B (in.)	Inside Hub C (in.)	Rod Diameter D (in.)	Torque Rating (ft.-lb.)	Package Qty	Package Weight
GHD225-82	7.88	8	2.25	5/8	10,000	4	0
GHD225-102	7.88	10	2.25	5/8	10,000	4	0
GHD225-112	7.88	12	2.25	5/8	10,000	4	0
GHD225-84	7.88	8	2.25	3/4 or 1	10,000	4	9
GHD225-104	7.88	10	2.25	3/4 or 1	10,000	4	12
GHD225-114	7.88	12	2.25	3/4 or 1	10,000	2	16
GHD225-134	7.88	14	2.25	3/4 or 1	10,000	2	21
GHD250-84	8.50	8	2.50	3/4 or 1	15,000	4	0
GHD250-104	8.50	10	2.50	3/4 or 1	15,000	2	0
GHD250-114	8.50	12	2.50	3/4 or 1	15,000	2	0
GHD250-134	8.50	14	2.50	3/4 or 1	15,000	2	0

CROSS-REFERENCE INFORMATION

Grip-Tite Part Number	Hubbell Part Number	MacLean Part Number	ECP Part Number	Description
GHD225-82	C1025208	TD225-82	TAX-225-625 (8)	2-1/4in Power-Grip Heavy Duty Hub Anchor, 5/8in Rod Diameter, with 8in Flight, 10,000ft-lb Torque
GHD225-102	C1025209	TD225-104	TAX-225-625 (10)	2-1/4in Power-Grip Heavy Duty Hub Anchor, 5/8in Rod Diameter, with 10in Flight, 10,000ft-lb Torque
GHD225-112	C1025210	TD225112	TAX-225-625 (12)	2-1/4in Power Grip Heavy Duty Hub Anchor, 5/8in Rod Diameter, with 12in Flight, 10,000ft-lb Torque
GHD225-84	C1025200	TD225-84	TAX-225-100 (8)	2-1/4in Power-Grip Heavy Duty Hub Anchor, 3/4in or 1in Rod Diameter, 8in Flight, 10,000ft-lb Torque
GHD225-104	C1025201	TD225-104	TAX-225-100 (10)	2-1/4in Power-Grip Heavy Duty Hub Anchor, 3/4in or 1in Rod Diameter, 10in Flight, 10,000ft-lb Torque
GHD225-114	C1025202	TD225-114	TAX-225-100 (12)	2-1/4in Power-Grip Heavy Duty Hub Anchor, 3/4in or 1in Rod Diameter, 12in Flight, 10,000ft-lb Torque
GHD225-134	C1025203	TD225-134	TAX-225-100 (14)	2-1/4in Power-Grip Heavy Duty Hub Anchor, 3/4in or 1in Rod Diameter, 14in Flight, 10,000ft-lb Torque
GHD250-84	C1025004	TD250-84	TAX-250-100 (8)	2-1/2in Power-Grip Heavy Duty Hub Anchor, 3/4in or 1in Rod Diameter, 8in Flight, 15,000ft-lb Torque
GHD250-104	C1025005	TD250-104	TAX-250-100 (10)	2-1/2in Power-Grip Heavy Duty Hub Anchor, 3/4in or 1in Rod Diameter, 10in Flight, 15,000ft-lb Torque
GHD250-114	C1025006	TD250-114	TAX-250-100 (12)	2-1/2in Power-Grip Heavy Duty Hub Anchor, 3/4in or 1in Rod Diameter, 12in Flight, 15,000ft-lb Torque
GHD250-134	C1025007	TD250-134	TAX-250-100 (14)	2-1/2in Power Grip Heavy Duty Hub Anchor, 3/4in or 1in Rod Diameter, with 14in Flight, 15,000ft-lb Torque

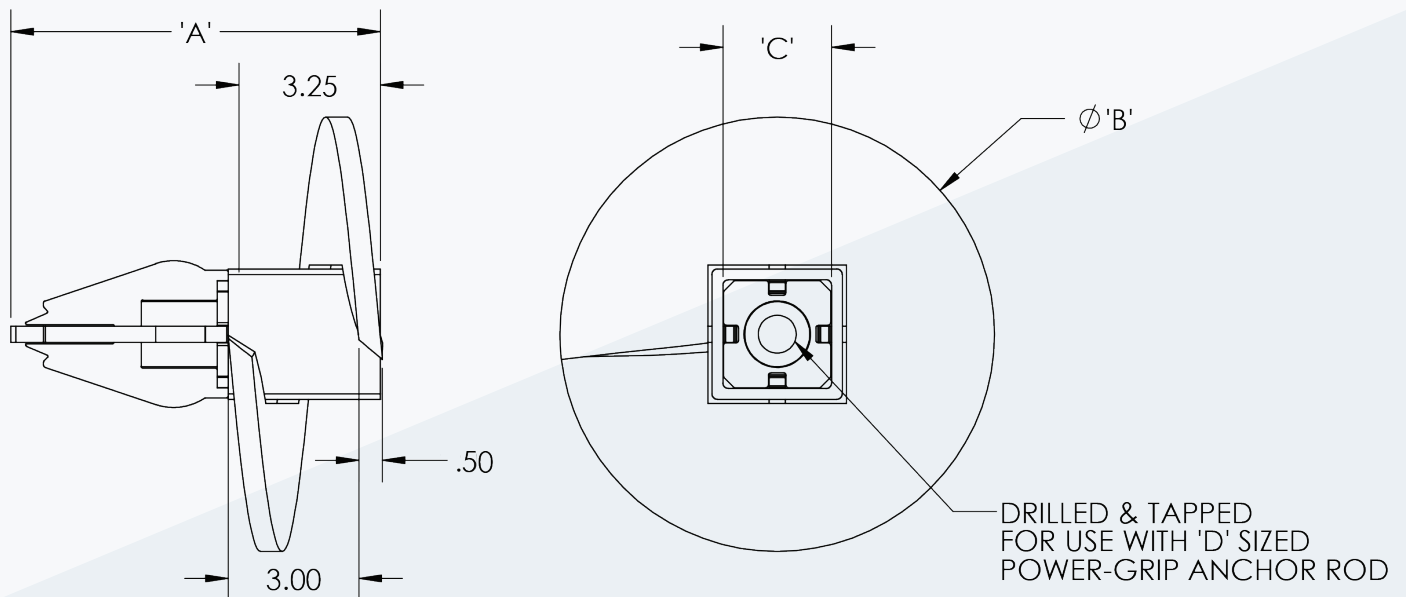
SUPER HEAVY DUTY HUB ANCHORS

Power-Grip Super Heavy Duty Hub Anchors are higher torque rated hub anchors used primarily in higher capacity applications. Available in Super Heavy Duty are, 2-1/2" and 2-1/4", with 4 flight sizes (8", 10", 12" and 14").

Power-Grip Super Heavy Duty Hub Anchors are made from structural steel tubing and sheet steel with the 1/2" steel flights formed to a 3" pitch for consistent penetration. Used in combination with Power-Grip Hub Anchor Rods and Eye-Nuts. Power-Grip Heavy Duty Anchors come painted for rust resistance. All flights have a beveled leading edge as a standard offering.



PART INFORMATION





SUPER HEAVY DUTY HUB ANCHORS

PART INFORMATION

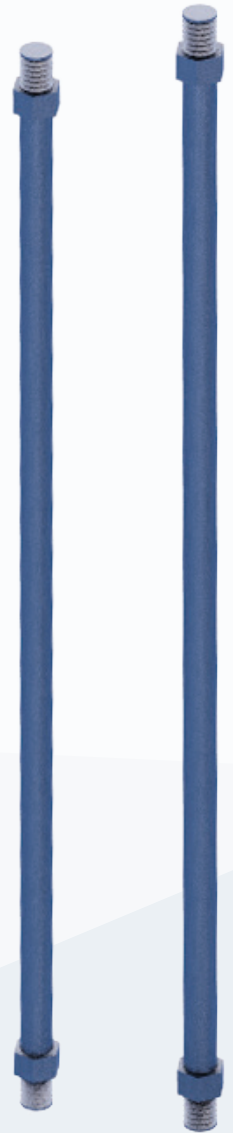
Catalog Number	A (in.)	B (in.)	C (in.)	D (in.)	Torque Rating (ft.-lb.)
GSHD225-82	7.88	8	2.25	5/8	10,000
GSHD225-102	7.88	10	2.25	5/8	10,000
GSHD225-112	7.88	12	2.25	5/8	10,000
GSHD225-84	7.88	8	2.25	3/4 or 1	10,000
GSHD225-104	7.88	10	2.25	3/4 or 1	10,000
GSHD225-114	7.88	12	2.25	3/4 or 1	10,000
GSHD225-134	7.88	14	2.25	3/4 or 1	10,000
GSHD250-84	8.5	8	2.5	3/4 or 1	15,000
GSHD250-104	8.5	10	2.5	3/4 or 1	15,000
GSHD250-114	8.5	12	2.5	3/4 or 1	15,000
GSHD250-134	8.5	14	2.5	3/4 or 1	15,000

CROSS-REFERENCE INFORMATION

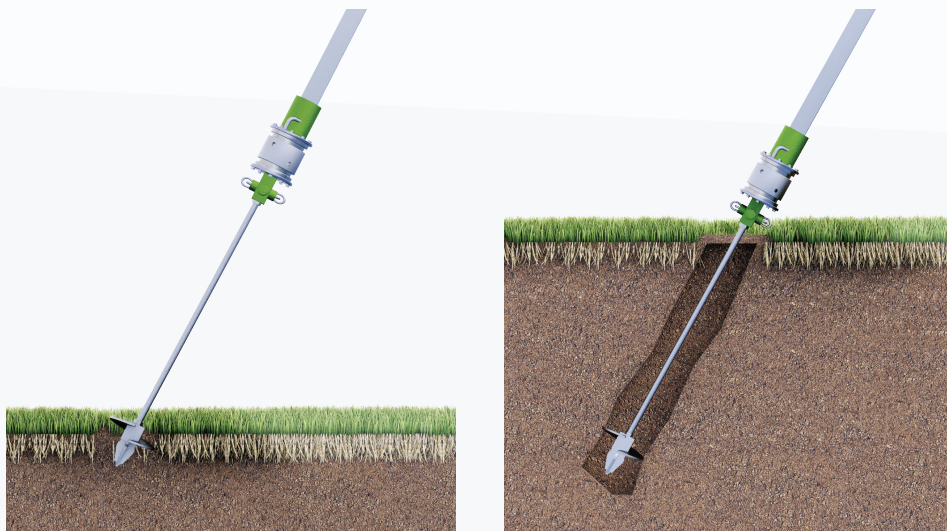
Grip-Tite Part Number	Hubbell Part Number	MacLean Part Number	ECP Part Number	Description
GSHD225-82	C1025208	TDH225-84	HTAX-225-100 (8)	2-1/4in Power-Grip Super Heavy Duty Hub Anchor, 5/8in Rod Diameter, with 8in Flight, 10,000ft-lb Torque
GSHD225-102	C1025209	TDH225-104	HTAX-225-100 (10)	2-1/4in Power-Grip Super Heavy Duty Hub Anchor 5/8in Rod Diameter with 10in Flight, 10,000ft-lb Torque
GSHD225-112	C1025210	TDH225-112	HTAX-225-100 (12)	2-1/4in Power-Grip Super Heavy Duty Hub Anchor, 5/8in Rod Diameter, with 14in Flight, 10,000ft-lb Torque
GSHD225-84	C1025200	TDH225-84	HTAX-225-100 (8)	2-1/4in Power-Grip Super Heavy Duty Hub Anchor, 3/4in or 1in Rod Diameter, with 8in Flight, 10,000ft-lb Torque
GSHD225-104	C1025201	TDH225-104	HTAX-225-100 (10)	2-1/4in Power-Grip Super Heavy Duty Hub Anchor, 3/4in or 1in Rod Diameter, with 10in Flight, 10,000ft-lb Torque
GSHD225-114	C1025202	TDH225-112	HTAX-225-100 (12)	2-1/4in Power-Grip Super Heavy Duty Hub Anchor, 3/4in or 1in Rod Diameter, with 12in Flight, 10,000ft-lb Torque
GSHD225-134	C1025203	TDH225-134	HTAX-225-100 (14)	2-1/4in Power-Grip Super Heavy Duty Hub Anchor, 3/4in or 1in Rod Diameter, with 14in Flight, 10,000ft-lb Torque
GSHD250-84	C1025000	TDH250-84	HTAX-250-100 (8)	2-1/2in Power-Grip Super Heavy Duty Hub Anchor, 3/4in or 1in Rod Diameter, with 8in Flight, 15,000ft-lb Torque
GSHD250-104	C1025001	TDH250-104	HTAX-250-100 (10)	2-1/2in Power-Grip Super Heavy Duty Hub Anchor, 3/4in or 1in Rod Diameter, with 10in Flight, 15,000ft-lb Torque
GSHD250-114	C1025002	TDH250-114	HTAX-250-100(12)	2-1/2in Power-Grip Super Heavy Duty Hub Anchor, 3/4in or 1in Rod Diameter, with 12in Flight, 15,000ft-lb Torque
GSHD250-134	C1025003	TDH250-134	HTAX-250-100(14)	2-1/2in Power-Grip Super Heavy Duty Hub Anchor, 3/4in or 1in Rod Diameter, with 14in Flight, 15,000ft-lb Torque

HUB ANCHOR RODS

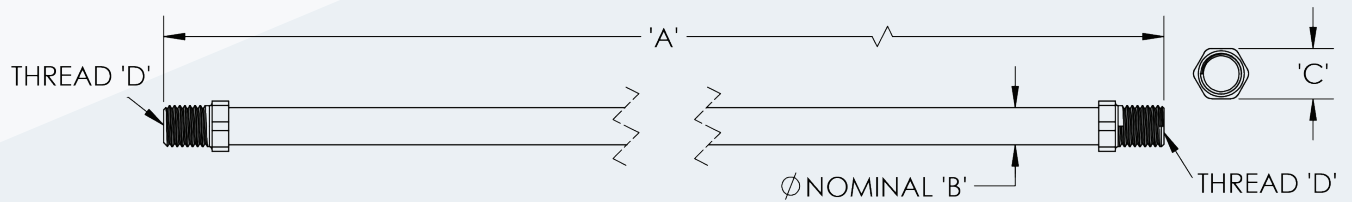
Power-Grip Hub Anchor Rods are steel rods that utilize two forged and threaded ends to connect Power-Grip Hub Anchors (1-3/8", 1-1/2", HD, and SHD) to the surface. Available in 2 lengths (3-1/2' and 7') and 3 different nominal rod sizes (5/8", 3/4", and 1"). Power-Grip Hub Anchor rods are used in combination with Power-Grip Hub Anchors, Power-Grip Heavy Duty Hub Anchors, Power-Grip Super Heavy Duty Hub Anchors, and Eye-Nuts and are galvanized to ASTM A123 standards. Note the thread size of the Power-Grip Hub Anchor Rod must match the thread size in the mating Power-Grip Hub Anchor.



INSTALLATION



PART INFORMATION







HUB ANCHOR RODS

PART INFORMATION

Catalog Number	Overall Length A (ft.)	Rod Diameter (B)	Hex Size (C)	Thread Size (D)	Weight Each (lb.)	Torque Rating (ft-lb.)	Package Qty
G6231/2	3-1/2	5/8	1	43/64 - 11 UNS	3.5	16,000	100
G62	7	5/8	1	43/64 - 11 UNS	6.5	16,000	100
G7531/2	3-1/2	3/4	1.23	1 - 8 UNS	5	23,000	100
G75	7	3/4	1.23	1 - 8 UNS	9.5	23,000	100
G10031/2	3-1/2	1	1.23	1 - 8 UNS	9.5	36,000	100
G100	7	1	1.23	1 - 8 UNS	18	36,000	100

CROSS-REFERENCE INFORMATION

Grip-Tite Part Number	Hubbell Part Number	MacLean Part Number	ECP Part Number	Description
G6231/2	12336P	D6231/2	TAR-625-42	5/8in Rod Diameter x 3-1/2ft Power-Grip Hub Anchor Rod, Galvanized
G62	12332P	D62	TAR-625-84	5/8in Rod Diameter x 7ft Power-Grip Hub Anchor Rod, Galvanized
G7531/2	12634P	D7531/2	TAR-750-42	3/4in Rod Diameter x 3-1/2ft Power-Grip Hub Anchor Rod, Galvanized
G75	12632P	D75	TAR-750-84	3/4in Rod Diameter x 7ft Power-Grip Hub Anchor Rod, Galvanized
G10031/2	12338P	D10031/2	TAR-100-42	1in Rod Diameter x 3-1/2ft Power-Grip Hub Anchor Rod, Galvanized
G100	12334P	D100	TAR-100-84	1in Rod Diameter x 7ft Power-Grip Hub Anchor Rod, Galvanized



HUB ANCHOR RODS WITH EYENUT

PART INFORMATION

Catalog Number	Overall Length A (ft.)	Rod Diameter (B)	Hex Size (C)	Thread Size (D)	Weight Each (lb.)	Torque Rating (ft-lb.)	Package Qty
G6231/2S	3-1/2	5/8	1	43/64 - 11 UNS	4.5	16,000	100
G6231/2D	3-1/2	5/8	1	43/64 - 11 UNS	5.5	16,000	100
G62S	7	5/8	1	43/64 - 11 UNS	7.5	16,000	100
G62D	7	5/8	1	43/64 - 11 UNS	8.5	16,000	100
G62T	7	5/8	1	43/64 - 11 UNS	8.5	16,000	100

Catalog Number	Overall Length A (ft.)	Rod Diameter (B)	Hex Size (C)	Thread Size (D)	Weight Each (lb.)	Torque Rating (ft-lb.)	Package Qty
G7531/2S	3-1/2	3/4	1.23	1-8 UNC	7	23,000	100
G7531/2D	3-1/2	3/4	1.23	1-8 UNC	7	23,000	100
G75S	7	3/4	1.23	1-8 UNC	11.5	23,000	100
G75D	7	3/4	1.23	1-8 UNC	11.5	23,000	100
G75T	7	3/4	1.23	1-8 UNC	12	23,000	100

Catalog Number	Overall Length A (ft.)	Rod Diameter (B)	Hex Size (C)	Thread Size (D)	Weight Each (lb.)	Torque Rating (ft-lb.)	Package Qty
G10031/2S	3-1/2	1	1.23	1-8 UNC	12	36,000	100
G10031/2D	3-1/2	1	1.23	1-8 UNC	12	36,000	100
G100S	7	1	1.23	1-8 UNC	20	36,000	100
G100D	7	1	1.23	1-8 UNC	20	36,000	100
G100T	7	1	1.23	1-8 UNC	20	36,000	100

HUB ANCHOR RODS WITH EYENUT

CROSS-REFERENCE INFORMATION

Grip-Tite Part Number	Hubbell Part Number	MacLean Part Number	ECP Part Number	Description
G6231/2S	E1020031	J12249R1	TARN-625-421	5/8in Rod Diameter x 3-1/2ft Power-Grip Hub Anchor Rod With Single Eyenut, Galvanized
G6231/2D	E1020047	J12249R3	TARN-625-423	5/8in Rod Diameter x 3-1/2ft Power-Grip Hub Anchor Rod With Triple Eyenut, Galvanized
G62S	E1020035	D62S	TARN-625-841	5/8in Rod Diameter x 7ft Power-Grip Hub Anchor Rod With Single Eyenut, Galvanized
G62D	E1020043	D62D	TARN-625-842	5/8in Rod Diameter x 7ft Power-Grip Hub Anchor Rod With Double Eyenut, Galvanized
G62T	E1020051	D62T	TARN-625-843	5/8in Rod Diameter x 7ft Power-Grip Hub Anchor Rod With Triple Eyenut, Galvanized

Grip-Tite Part Number	Hubbell Part Number	MacLean Part Number	ECP Part Number	Description
G7531/2S	E1020032	D7531/2S	TARN-750-421	3/4in Rod Diameter x 3-1/2ft Power-Grip Hub Anchor Rod With Single Eyenut, Galvanized
G7531/2D	E1020040	D7531/2D	TARN-750-422	3/4in Rod Diameter x 3-1/2ft Power-Grip Hub Anchor Rod With Double Eyenut, Galvanized
G75S	E1020036	D75S	TARN-750-841	3/4in Rod Diameter x 7ft Power-Grip Hub Anchor Rod With Single Eyenut, Galvanized
G75D	E1020044	D75D	TARN-750-842	3/4in Rod Diameter x 7ft Power-Grip Hub Anchor Rod With Double Eyenut, Galvanized
G75T	E1020052	D75T	TARN-750-843	3/4in Rod Diameter x 7ft Power-Grip Hub Anchor Rod With Triple Eyenut, Galvanized

Grip-Tite Part Number	Hubbell Part Number	MacLean Part Number	ECP Part Number	Description
G10031/2S	E1020040	D7531/2S	-	1in Rod Diameter x 3-1/2ft Power-Grip Hub Anchor Rod With Single Eyenut, Galvanized
G10031/2D	E1020041	D10031/2D	TARN-100-422	1in Rod Diameter x 3-1/2ft Power-Grip Hub Anchor Rod With Double Eyenut, Galvanized
G100S	E1020037	D100S	TARN-100-841	1in Rod Diameter x 7ft Power-Grip Hub Anchor Rod With Single Eyenut, Galvanized
G100D	E1020045	D100D	TARN-100-842	1in Rod Diameter x 7ft Power-Grip Hub Anchor Rod With Double Eyenut, Galvanized
G100T	E1020053	D100T	TARN-100-843	1in Rod Diameter x 7ft Power-Grip Hub Anchor Rod With Triple Eyenut, Galvanized



ROD EXTENSIONS WITH COUPLING NUT

PART INFORMATION

Catalog Number	Overall Length A (ft.)	Rod Diameter (B)	Hex Size (C)	Thread Size (D)	Weight Each (lb.)	Torque Rating (ft.-lb.)	Package Qty
G62531/2C	3-1/2	5/8	1	43/64-11 UNS	4	16,000	100
G62C	7	5/8	1	43/64-11 UNS	7	16,000	100
G7531/2C	3-1/2	3/4	1.23	1-8 UNC	5.5	23,000	100
G75C	7	3/4	1.23	1-8 UNC	10	23,000	100
G10031/2C	3-1/2	1	1.23	1-8 UNC	10	36,000	100
G100C	7	1	1.23	1-8 UNC	18.5	36,000	100

CROSS-REFERENCE INFORMATION

Grip-Tite Part Number	Hubbell Part Number	MacLean Part Number	ECP Part Number	Description
G62531/2C	12249A	D62312C	TARC-625-42	5/8in Rod Diameter x 3-1/2ft Power-Grip Hub Anchor Rod With Coupling Nut, Galvanized
G62C	12332P	D62	TARC-625-84	5/8in Rod Diameter x 7ft Power-Grip Hub Anchor Rod With Coupling Nut, Galvanized
G7531/2C	12250A	D75312C	TARC-750-42	3/4in Rod Diameter x 3-1/2ft Power-Grip Hub Anchor Rod With Coupling Nut, Galvanized
G75C	C1022328	D75C	TARC-750-84	3/4in Rod Diameter x 7ft Power-Grip Hub Anchor Rod With Coupling Nut, Galvanized
G10031/2C	12251A	D10031/2C	TARC-100-42	1in Rod Diameter x 3-1/2ft Power-Grip Hub Anchor Rod With Coupling Nut, Galvanized
G100C	12255A	D100C	TARC-100-84	1in Rod Diameter x 7ft Power-Grip Hub Anchor Rod With Coupling Nut, Galvanized



EYENUTS ONLY



PART INFORMATION

Catalog Number	Eye Width A (ft.)	Base Width B (in.)	Eye Opening C (in.)	Outside Radius E (in.)	Eye Radius R (in.)	Torque Rating (ft-lb.)	Package Qty
G6510A	7/8	1-7/8	1-3/8	1-11/64	1/4	1	25
G6560A	1-13/32	2-25/64	1-27/64	1-1/2	5/16	1.8	25
G6565	1-3/4	2-13/16	1-5/8	1-1/2	1/4	2.2	25
G6512	1-3/16	2-17/64	1-19/32	1-63/64	13/32	1	25
G6562A	1-13/32	2-25/64	1-27/64	1-1/2	5/16	1.8	25
G6567	1-3/4	2-13/16	1-5/8	1-1/2	1/4	2.2	25

CROSS-REFERENCE INFORMATION

Grip-Tite Part Number	Hubbell Part Number	MacLean Part Number	ECP Part Number	Description
G6510A	12587	D6510A	TAN-625-001	5/8in Rod Diameter Single Eyenut
G6560A	12589	D6560A	TAN-625-002	5/8in Rod Diameter Double Eyenut
G6565	12593	D6565	TAN-625-003	5/8in Rod Diameter Triple Eyenut
G6512	6512	D6512	TAN-100-001	3/4in and 1in Rod Diameter Single Eyenut
G6562A	6562	D6562A	TAN-100-002	3/4in and 1in Rod Diameter Double Eyenut
G6567	12585	D6567	TAN-100-003	3/4in and 1in Rod Diameter Triple Eyenut

COUPLINGS ONLY



PART INFORMATION

Catalog Number	Outside Diameter A (in.)	Overall Length B (in.)	C (thread size)	Weight Each (lb.)	Tension Rating (lb.)
G352	1.00	2	0.695-11UNS-2A	0.512	16,000
G354	7	5/8	1-8 UNC-2A	0.246	23,000

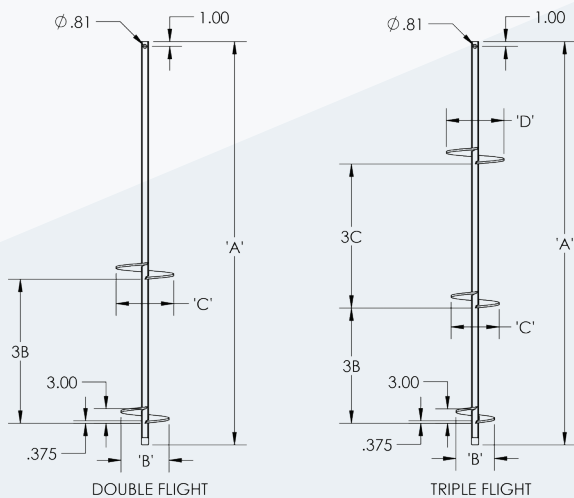
CROSS-REFERENCE INFORMATION

Grip-Tite Part Number	Hubbell Part Number	MacLean Part Number	ECP Part Number	Description
G352	12245P	D352	TAC-625	5/8in Rod Diameter Coupling Nut
G354	12247P	D354	TAC-100	3/4in and 1in Rod Diameter Coupling Nut

SQUARE SHAFT ANCHORS

Power-Grip Square Shaft Anchors utilize a square shaft with welded on flights to give a higher holding capacity in looser soil. Available in 4 lengths (3', 3-1/2', 5-1/2', and 7') with various flight combinations. Made from 1-1/2" steel square bar and 3/8" flights formed to a 3" pitch for consistent penetration. The Power-Grip Square Shaft Anchors are used in combination with the Power-Grip Square Shaft Anchor Extensions and are galvanized to ASTM A123 standards.

INSTALLATION





SQUARE SHAFT ANCHORS

PART INFORMATION

Catalog Number	A (ft.)	B (in.)	C (in.)	D (in.)	Torque Rating (ft.-lb.)	Tension Rating (lb.)	Weight Each (lb.)
G663087	3	8	-	-	7,000	70,000	28
G663107	3	10	-	-	7,000	70,000	31
G663237	3	8	10	-	7,000	70,000	36
G66347	3-1/2	10	12	-	7,000	70,000	46
G665087	5	8	-	-	7,000	70,000	41
G665107	5	10	-	-	7,000	70,000	43
G665127	5	12	-	-	7,000	70,000	46
G665147	5	14	-	-	7,000	70,000	49
G66327	5	8	10	-	7,000	70,000	46
G66510127	5	10	12	-	7,000	70,000	52
G66512147	5	12	14	-	7,000	70,000	57
G66367	5-1/2	8	10	12	7,000	70,000	61
G667087	7	8	-	-	7,000	70,000	57
G667107	7	10	-	-	7,000	70,000	60
G667127	7	12	-	-	7,000	70,000	64
G667147	7	14	-	-	7,000	70,000	68
G66708107	7	8	10	-	7,000	70,000	65
G66710127	7	10	12	-	7,000	70,000	72
G66712147	7	12	14	-	7,000	70,000	80
G6670810127	7	8	10	12	7,000	70,000	77
G66377	7	10	12	14	7,000	70,000	89

SQUARE SHAFT ANCHORS

CROSS-REFERENCE INFORMATION

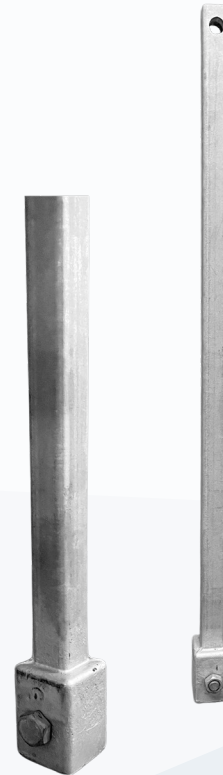
Grip-Tite Part Number	Hubbell Part Number	MacLean Part Number	ECP Part Number	Description
G663087	-	-	-	1-1/2in 3ft Square Shaft Anchor with 8in Flights, 7,000ft-lb Torque
G663107	-	-	-	1-1/2in 3ft Square Shaft Anchor with 10in Flights, 7,000ft-lb Torque
G66327	C1100385	D6632	TAF-150-36 (8,10)	1-1/2in 3ft Square Shaft Anchor with 8in & 10in Flights, 7,000ft-lb Torque
G66347	C1100871	D6634	TAF-150-42 (10,12)	1-1/2in 3-1/2ft Square Shaft Anchor with 10in, & 12in Flights, 7,000ft-lb Torque
G665087	-	-	-	1-1/2in 5ft Square Shaft Anchor with 8in Flights, 7,000ft-lb Torque
G665107	-	-	-	1-1/2in 5ft Square Shaft Anchor with 10in Flights, 7,000ft-lb Torque
G665127	-	-	-	1-1/2in 5ft Square Shaft Anchor with 12in Flight, 7,000ft-lb Torque
G665147	-	-	-	1-1/2in 5ft Square Shaft Anchor with 14in Flight, 7,000ft-lb Torque
G66508107	C1101224	D66327	-	1-1/2in 5ft Square Shaft Anchor with 8in & 10in Flights, 7,000ft-lb Torque
G66510127	C1100970	D66347	-	1-1/2in 5ft Square Shaft Anchor with 10in & 12in Flights, 7,000ft-lb Torque
G66512147	-	-	-	1-1/2in 5ft Square Shaft Anchor with 12in & 14in Flights, 7,000ft-lb Torque
G66367	C1100386	D6636	TAF-150-66 (08,10,12)	1-1/2in 5-1/2ft Square Shaft Anchor with 8in, 10in, & 12in Flights, 7,000ft-lb Torque
G667087	-	-	-	1-1/2in 7ft Square Shaft Anchor with 8in Flight, 7,000ft-lb Torque
G667107	-	-	-	1-1/2in 7ft Square Shaft Anchor with 10in Flight, 7,000ft-lb Torque
G667127	-	-	-	1-1/2in 7ft Square Shaft Anchor with 12in Flight, 7,000ft-lb Torque
G667147	-	-	-	1-1/2in 7ft Square Shaft Anchor with 14in Flight, 7,000ft-lb Torque
G66708107	-	-	-	1-1/2in 7ft Square Shaft Anchor with 8in & 10in Flights, 7,000ft-lb Torque
G66710127	-	-	-	1-1/2in 7ft Square Shaft Anchor with 10in & 12in Flights, 7,000ft-lb Torque
G66712147	-	-	-	1-1/2in 7ft Square Shaft Anchor with 12in & 14in Flights, 7,000ft-lb Torque
G6670810127	C1100970	D66367	-	1-1/2in 7ft Square Shaft Anchor with 8in, 10in & 12in Flights, 7,000ft-lb Torque
G66377	C1100838	D66377	TAF-150-84 (10,12,14)	1-1/2in 7ft Square Shaft Anchor with 10in, 12in & 14in Flights, 7,000ft-lb Torque



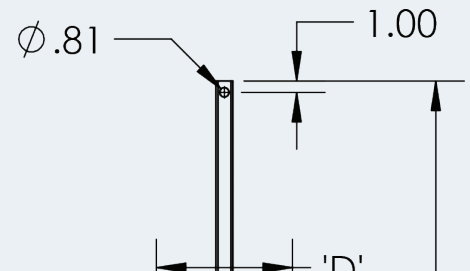
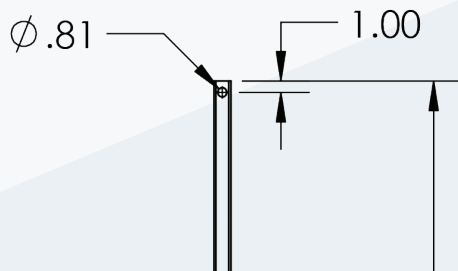


SQUARE SHAFT ANCHOR EXTENSIONS

Power-Grip Square Shaft Anchor Extensions utilize a square shaft with a forged end to connect a Power-Grip Square Shaft Anchor to the surface. Available in 3 lengths (3-1/2', 5', and 7'). Made from 1-1/2" steel square bar. The Power-Grip Square Shaft Anchor Extensions are used in combination with the Power-Grip Square Shaft Anchors and are galvanized to ASTM A123 standards.



PART INFORMATION





SQUARE SHAFT ANCHOR EXTENSIONS

PART INFORMATION

Catalog Number	A (ft.)	Torque Rating (ft.-lb.)	Tension Rating (lb.)	Weight Each (lb.)
G6616U7	3-1/2	7,000	70,000	31
G6620U7	5	7,000	70,000	41
G6625U7	7	7,000	70,000	57
G6630U7	10	7,000	70,000	79
G30056	Square Shaft Anchor Extension Replacement Nut & Bolt Hardware			1

CROSS-REFERENCE INFORMATION

Grip-Tite Part Number	Hubbell Part Number	MacLean Part Number	ECP Part Number	Description
G6616U7	C1100388	D6616U7	TAE-150-42	1-1/2in 3-1/2ft Square Shaft Anchor Extension 7,000ft-lb Torque
G6620U7	C1100470	D6620U7	TAE-150-60	1-1/2in 5ft Square Shaft Anchor Extension 7,000ft-lb Torque
G6625U7	C1100389	D6625U7	TAE-150-84	1-1/2in 7ft Square Shaft Anchor Extension 7,000ft-lb Torque
G6630U7	C1100440	D6630U7	TAE-150-120	1-1/2in 10ft Square Shaft Anchor Extension 7,000ft-lb Torque
G30056	055449P - Jam Nut P0010041P - Bolt	D30056	-	Square Shaft Anchor Extension Replacement Nut & Bolt Hardware





SQUARE SHAFT ANCHOR EXTENSIONS WITH HELICAL

PART INFORMATION

Catalog Number	A (ft.)	B (in.)	Torque Rating (ft-lb.)	Tension Rating (lb.)	Weight Each (lb.)
G6616UC7	3-1/2	12	7,000	70,000	41
G6616UD7	3-1/2	14	7,000	70,000	45
G6620UD7	5	14	7,000	70,000	55
G30056	Square Shaft Anchor Extension Replacement Nut & Bolt Hardware				1

CROSS-REFERENCE INFORMATION

Grip-Tite Part Number	Hubbell Part Number	MacLean Part Number	ECP Part Number	Description
G6616UC7	-	D6616UC7	TAE-150-42 (12)	1-1/2in 3-1/2ft Square Shaft Anchor Extension With 12in Flight, 7,000ft-lb Torque
G6616UD7	C1100471	D6616UD7	TAE-150-42 (14)	1-1/2in 3-1/2ft Square Shaft Anchor Extension With 14in Flight, 7,000ft-lb Torque
G6620UD7	C1100470	D6620UD7	TAE-150-60 (14)	1-1/2in 5ft Square Shaft Anchor Extension With 14in Flight, 7,000ft-lb Torque
G30056	055449P - Jam Nut P0010041P - Bolt	D30056	-	Square Shaft Anchor Extension Replacement Nut & Bolt Hardware



SQUARE SHAFT GUY TERMINATIONS



PART INFORMATION

Catalog Number	A (ft.)	B (in.)	C (in.)	D (in.)	E (in.)	Weight Each (lb.)
G6604	11	9-5/8	8-1/2	1-1/2	1	8
G6606	11	9-3/4	8-5/8	1-5/8	5/8	8

CROSS-REFERENCE INFORMATION

Grip-Tite Part Number	Hubbell Part Number	MacLean Part Number	ECP Part Number	Description
G6604	C1020024	D6604US	TAA-150-002	1-1/2in Square Shaft Double Eye Guy Termination
G6606	C1020025	D6606US	TAA-150-103	1-1/2in Square Shaft Triple Eye Guy Termination

EXPANDING ANCHORS

Grip-Tite Expanding Anchors are used in pre-excavated holes and expand to the size of the hole, giving high holding capacity in a small unit. The eight blade, one-piece top plate, deeply embossed for additional strength, expands upon impact into undisturbed earth to form a pyramid-shaped square. The 8-way anchor retains its shape under extremely heavy loads due to the support of the eight blades by the base plate. The Grip-Tite Expanding Anchors are used in combination with the Power-Grip Forged Anchor rods and come coated in a high-grade asphalt or galvanized to ASTM A123 standards.



INSTALLATION





EXPANDING ANCHORS

PART INFORMATION

Catalog Number	Installation Hole Diameter (in.)	Area of Anchor (sq. in.)	Rod Diameter (in.)	Weight (lb.)
A322088	8	115	5/8 and 3/4	6
A322812	8	135	5/8 and 3/4	8
A322813	8	135	5/8 and 3/4	8
A322813-NNR	8	135	1	8
A322103	10	200	5/8 and 3/4	12
A322102	10	200	1	12
A322123-1	12	300	1	21
A322123	12	300	1-1/4	21

CROSS-REFERENCE INFORMATION

Grip-Tite Part Number	Hubbell Part Number	MacLean Part Number	ECP Part Number	Description
A322088	88135	J8115	UAB-080-750	Expanding Anchor 8in with 3/4in Nut Retainer
A322812	88135	J8135	UAB-080-750	Expanding Anchor 8in with 3/4in Nut Retainer
A322813	88136	J8135-1	UAB-080-100	Expanding Anchor 8in with 1in Nut Retainer
A322813-NNR	-	J8135-NNR	-	Expanding Anchor 8in with No Nut Retainer
A322103	108234	J8200-3/4	UAB-010-750	Expanding Anchor 10in with 3/4in Nut Retainer
A322102	1082	J8200-1	UAB-010-100	Expanding Anchor 10in with 1 in Nut Retainer
A322123-1	12831	J0283-1	UAB-012-100	Expanding Anchor 12in with 1in Nut Retainer
A322123	1283	J0283	UAB-012-125	Expanding Anchor 12in with 1-1/4in Nut Retainer

CROSS PLATE ANCHORS

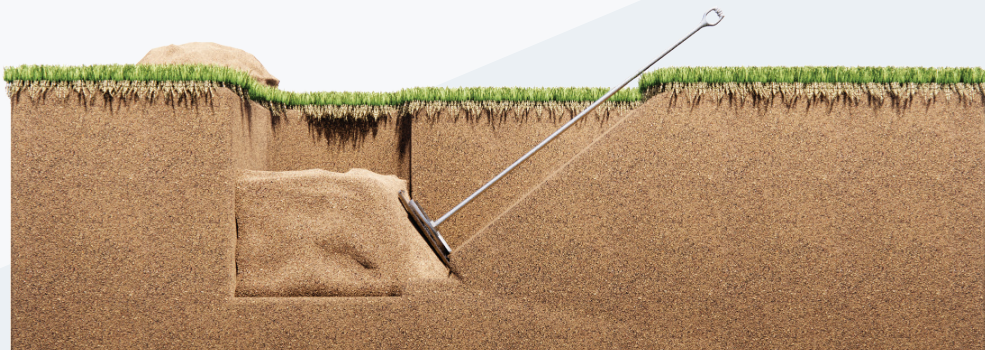
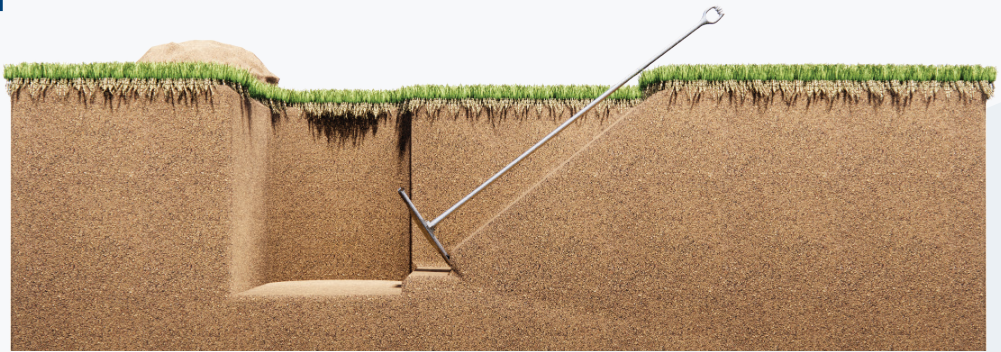
Grip-Tite Cross Plate Anchors are used in pre-excavated holes and utilize two formed, welded plates for higher holding capacity.

Grip-Tite Cross Plate Anchors are formed from structural steel and are ribbed for extra strength and reinforcement. Plate edges are flanged to resist creeping. Plates are welded at right angles for maximum holding ability and a nut retainer is provided to aid in installation.

Grip-Tite Cross Plate Anchors are used in combination with Power-Grip Forged Anchor Rods and come either coated in a high-grade asphalt or galvanized to ASTM A123 standards.



INSTALLATION





CROSS PLATE ANCHORS

PART INFORMATION

Catalog Number	Installation Hole Size (in.)	Area of Anchor (sq. in.)	Rod Diameter (in.)	Weight (lb.)
XP16	16	150	5/8 and 3/4	10
XP20	20	250	5/8 and 3/4	16
XP20-1	20	250	1	16
XP24-3/4	24	400	5/8 and 3/4	32
XP24	24	400	1	32
XP24-1	24	400	1	32

CROSS-REFERENCE INFORMATION

Grip-Tite Part Number	Hubbell Part Number	MacLean Part Number	ECP Part Number	Description
XP16	X16	J3516	PAS-1414	16in Cross Plate Anchor with 3/4in Nut Retainer
XP20	X20	J3520	PAM-1616	20in Cross Plate Anchor with 3/4in Nut Retainer
XP20-1	X201	J3520-1	-	20in Cross Plate Anchor with 1in Nut Retainer
XP24-3/4	X2434	J3524-3/4	-	24in Cross Plate Anchor with 3/4in Nut Retainer
XP24	X24	J3524	PAL-2420	24in Cross Plate Anchor with 1in Nut Retainer
XP24-1	X241	J3524-1	C102-5209	24in Cross Plate Anchor with 1 1/4in Nut Retainer

FORGED ANCHOR RODS

POWER-GRIP THIMBLE EYE FORGED ANCHOR RODS

Forged Anchor Rods come in multiple lengths (60", 72", 84", 96", 108", and 120") and guy eye sizes (Thimble, Twin, and Triple). The rods have one forged end, with the opposite threaded end used to engage Grip-Tite Expanding Anchors and Grip-Tite Cross Plate Anchors. The Grip-Tite Forged Anchor Rods eyes are formed to prevent any damage to the guy strand. All rods are galvanized to ASTM A123 standards and are supplied with a heavy square nut and a minimum of 3-1/2' thread length.

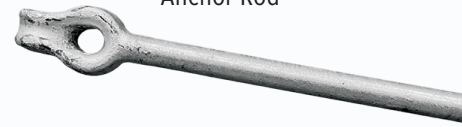
POWER-GRIP TWIN EYE FORGED ANCHOR RODS

Forged Anchor Rods come in multiple lengths (60", 72", 84", 96", 108", and 120") and guy eye sizes (Thimble, Twin, and Triple). The rods have one forged end, with the opposite threaded end used to engage Grip-Tite Expanding Anchors and Grip-Tite Cross Plate Anchors. The Grip-Tite Forged Anchor Rods eyes are formed to prevent any damage to the guy strand. All rods are galvanized to ASTM A123 standards and are supplied with a heavy square nut and a minimum of 3-1/2' thread length.

POWER-GRIP TRIPLE EYE FORGED ANCHOR RODS

Forged Anchor Rods come in multiple lengths (60", 72", 84", 96", 108", and 120") and guy eye sizes (Thimble, Twin, and Triple). The rods have one forged end, with the opposite threaded end used to engage Grip-Tite Expanding Anchors and Grip-Tite Cross Plate Anchors. The Grip-Tite Forged Anchor Rods eyes are formed to prevent any damage to the guy strand. All rods are galvanized to ASTM A123 standards and are supplied with a heavy square nut and a minimum of 3-1/2' thread length.

Triple Eye Anchor Rod



Twin Eye Anchor Rod



Thimble Eye Anchor Rod



INSTALLATION



FORGED ANCHOR ROD HEAVY SQUARE NUTS



PART INFORMATION

Catalog Number	Rod Diameter (in.)	Rod Length (in.)	Nominal Thread Size (lb.)	Weight Each (lb.)
G8562-1	7/8	1/2	1/2	0.2
G8563-1	1-1/16	5/8	3/4	0.2
G8564-1	1-1/4	3/4	5/8	0.2
G8565-1	1-5/8	1	1	0.2
G8566	2	1-1/4	1-1/4	0.3

CROSS-REFERENCE INFORMATION

Grip-Tite Part Number	Hubbell Part Number	MacLean Part Number	ECP Part Number	Description
G8562-1	55058P	-	-	1/2in Nominal Heavy Square Nut
G8563-1	55006P	J8563-1	-	5/8in Nominal Heavy Square Nut
G8564-1	55312P	J8564-1	-	3/4in Nominal Heavy Square Nut
G8565-1	55320P	J8565-1	-	1in Nominal Heavy Square Nut
G8566	56001P	J8566	-	1-1/4in Nominal Heavy Square Nut

THIMBLE EYE FORGED ANCHOR RODS

PART INFORMATION

Catalog Number	Rod Diameter (in.)	Rod Length (in.)	Tension Rating (lb.)	Weight (lb.)
G7415	5/8	60	16,000	5
G7416	5/8	72	16,000	6
G7417	5/8	84	16,000	8
G7418	5/8	96	16,000	10
G7427	3/4	84	23,000	13
G7428	3/4	96	23,000	14
G7429	3/4	108	23,000	14
G7530	3/4	120	23,000	15

CROSS-REFERENCE INFORMATION

Grip-Tite Part Number	Hubbell Part Number	MacLean Part Number	ECP Part Number	Description
G7415	5315	J7415	-	5/8in Rod Diameter x 60in Single Eye Forged Anchor Rod 16,000lbs Ultimate
G7416	5316	J7416	UAR-625-721	5/8in Rod Diameter x 72in Single Eye Forged Anchor Rod 16,000lbs Ultimate
G7417	5317	J7417	UAR-625-841	5/8in Rod Diameter x 84in Single Eye Forged Anchor Rod 16,000lbs Ultimate
G7418	5318	J7418	UAR-625-961	5/8in Rod Diameter x 96in Single Eye Forged Anchor Rod 16,000lbs Ultimate
G7427	5327	J7427	UAR-750-841	3/4in Rod Diameter x 84in Single Eye Forged Anchor Rod 23,000lbs Ultimate
G7428	5328	J7428	UAR-750-961	3/4in Rod Diameter x 96in Single Eye Forged Anchor Rod 23,000lbs Ultimate
G7429	5329	J7429	UAR-750-108	3/4in Rod Diameter x 108in Single Eye Forged Anchor Rod 23,000lbs Ultimate
G7530	5330	J7530	UAR-750-120	3/4in Rod Diameter x 120in Single Eye Forged Anchor Rod 23,000lbs Ultimate





TWIN EYE FORGED ANCHOR RODS

PART INFORMATION

Catalog Number	Rod Diameter (in.)	Rod Length (in.)	Tension Rating (lb.)	Weight (lb.)
G7515	5/8	60	16,000	6
G7516	5/8	72	16,000	7
G7517	5/8	84	16,000	8
G7518	5/8	96	16,000	9
G7527	3/4	84	23,000	10
G7528	3/4	96	23,000	12
G7529	3/4	108	23,000	14
G7530	3/4	120	23,000	16
G7538	1	96	36,000	18
G7540	1	120	36,000	28

CROSS-REFERENCE INFORMATION

Grip-Tite Part Number	Hubbell Part Number	MacLean Part Number	ECP Part Number	Description
G7515	-	-	-	5/8in Rod Diameter x 60in Twin Eye Forged Anchor Rod 16,000lbs Ultimate
G7516	5346	J7516	UAR-625-722	5/8in Rod Diameter x 72in Twin Eye Forged Anchor Rod 16,000lbs Ultimate
G7517	5347	J7517	UAR-625-842	5/8in Rod Diameter x 84in Twin Eye Forged Anchor Rod 16,000lbs Ultimate
G7518	5348	J7518	UAR-625-962	5/8in Rod Diameter x 96in Twin Eye Forged Anchor Rod 16,000lbs Ultimate
G7527	5357	J7527	UAR-750-842	3/4in Rod Diameter x 84in Twin Eye Forged Anchor Rod 23,000lbs Ultimate
G7528	5358	J7528	UAR-750-962	3/4in Rod Diameter x 96in Twin Eye Forged Anchor Rod 23,000lbs Ultimate
G7529	5359	J7529	UAR-750-108	3/4in Rod Diameter x 108in Twin Eye Forged Anchor Rod 23,000lbs Ultimate
G7530	5360	J7530	UAR-750-120	3/4in Rod Diameter x 120in Twin Eye Forged Anchor Rod 23,000 Ultimate
G7538	5368	J7538	UAR-1000-962	1in Rod Diameter x 96in Twin Eye Forged Anchor Rod 36,000lbs Ultimate
G7540	5370	J7540	UAR-1000-120	1in Rod Diameter x 120in Twin Eye Forged Anchor Rod 36,000lbs Ultimate



TRIPLE EYE FORGED ANCHOR RODS

PART INFORMATION

Catalog Number	Rod Diameter (in.)	Rod Length (in.)	Tension Rating (lb.)	Weight (lb.)
G7327	3/4	84	23,000	12
G7328	3/4	96	23,000	13
G7329	3/4	108	23,000	14
G7338	1	96	36,000	19
G7340	1	120	36,000	23
G7350	1-1/4	120	58,000	43

CROSS-REFERENCE INFORMATION

Grip-Tite Part Number	Hubbell Part Number	MacLean Part Number	ECP Part Number	Description
G7327	7557	J7327	-	3/4in Rod Diameter x 84in Triple Eye Forged Anchor Rod 23,000lbs Ultimate
G7328	7558	J7328	-	3/4in Rod Diameter x 96in Triple Eye Forged Anchor Rod 23,000lbs Ultimate
G7329	7559	J7329	-	3/4in Rod Diameter x 108in Triple Eye Forged Anchor Rod 23,000lbs Ultimate
G7338	7568	J7338	UAR-100-963	1in Rod Diameter x 96in Triple Eye Forged Anchor Rod 36,000lbs Ultimate
G7340	7570	J7340	UAR-100-123	1in Rod Diameter x 120in Triple Eye Forged Anchor Rod 36,000lbs Ultimate
G7350	7574	J7350	-	1-1/4in Rod Diameter x 120in Triple Eye Forged Anchor Rod 58,000lbs Ultimate



POLE KEY ANCHORS

Grip-Tite Pole Key Anchors utilize multiple formed, welded plates to help stabilize misaligned poles. Grip-Tite Pole Key Anchors are formed from structural steel and are deeply ribbed for extra strength and reinforcement. The anchors expand upon impact into undisturbed soil.



INSTALLED





POLE KEY ANCHORS

PART INFORMATION

Catalog Number	Blade Width (in.)	Expanded Area (sq. in.)	Expanded Width (in.)
K276	7	276	27 -1/4

CROSS-REFERENCE INFORMATION

Grip-Tite Part Number	Hubbell Part Number	MacLean Part Number	ECP Part Number	Description
K276	P4817	J4817	UAE-481-7	Expanding Pole-Key Anchor 276

POLE TOP BRACKET

PART INFORMATION

Catalog Number	Length (in.)	Width (in.)	Weight (lb.)
G2157	3	10-1/2	4

CROSS-REFERENCE INFORMATION

Grip-Tite Part Number	Hubbell Part Number	MacLean Part Number	ECP Part Number	Description
G2157	2157	J2045	-	Pole Top Bracket



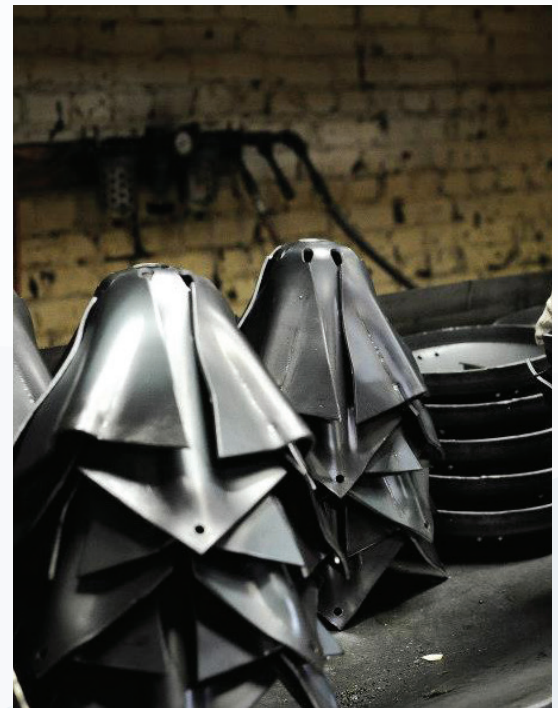
FOR OVER
100
YEARS
MADE IN THE USA
WITH AMERICAN STEEL

WHY CHOOSE GRIP-TITE?

Utility anchors secure power delivery to hundreds of millions of Americans every day, so it's important they do their job, especially in the toughest conditions. Anchors aren't tested in mild weather, they're tested in the worst conditions, when they're needed the most. Depend on Grip-Tite anchors to secure transmission and distribution lines during high-winds and ice storms. When made in America matters because the people who make them care. Cheap anchors from overseas may do the job on most days, but our anchors are resilient and work when it matters the *most*.

CONTACT US TODAY

If this sounds like the company for you, don't wait another second. We have the products, resources, and support to provide all your anchor needs. Give us a call and put our team to the test.





FOR OVER
100
YEARS

MADE
— —
★ IN ★
USA

WITH
AMERICAN
STEEL

Grip-Tite®

UTILITY

Grip-Tite Manufacturing Co.
505 E. Madison
Winterset, IA 50273

(515) 474-7004 • utilityorders@griptite.com

WWW.GRIPTITEUTILITY.COM